

## BrewWISE® Hot Beverage System

ITEM# \_\_\_\_\_

PROJECT \_\_\_\_\_

DATE \_\_\_\_\_

### Features

#### BrewWISE® Hot Beverage System

- Perfect for brewing hot tea or coffee when making Hot Milk Tea or Hot Milk Coffee.
- Brews ½, 1, or 1½ gallon (1.9, 3.8 or 5.7 litre) batches.
- Reduce accidents with safety features that decrease hot splashes from funnel, eliminate brewing when funnel or server is not present.
- Troubleshoot all switches and electrical components from the front panel with advanced diagnostic service tools.
- Consistently brew perfect beverages using Digital Brewer Control with BUNN pulse brew.
- Simplify installation and calibration by creating your own recipe cards and dedicated funnels with the BrewWISE Recipe Writer using your PC (U.S. and English Windows® compatible).
- Metric and Celcius temperature setting.
- SH server developed specifically for milk tea applications. (sold separately)
- Brew capacity varies by model. See back for details.



#### Single SH DBC with SH Server

*(servers sold separately)*

Dimensions: 35.8" H x 9.3" W x 23.1" D  
(90.9cm H x 23.6cm W x 58.7cm D)

For current specification sheets and other information, go to [www.bunn.com](http://www.bunn.com).

*International models may vary in appearance.*

### Related Products

**Easy Clear® EQHP-10**  
Product No. : 39000.0004



**Easy Clear® EQHP-10L**  
Product No. : 39000.0001

**Single/Dual Filter Pack**  
Product No. : 20138.0000



**BrewWISE® Recipe Writer (BRW)**  
Product No.: 34444.0001



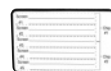
**Recipe Card**  
Product No.: 34447.0000

- Program a recipe to be used on brewer or grinder.



**Ad Card**  
Product No.: 34448.0000

- Program a message to appear on the brewer's display.



**SH Server**  
Product No.: 27850.0023  
• Specific for Hot Beverage System Hot Milk application



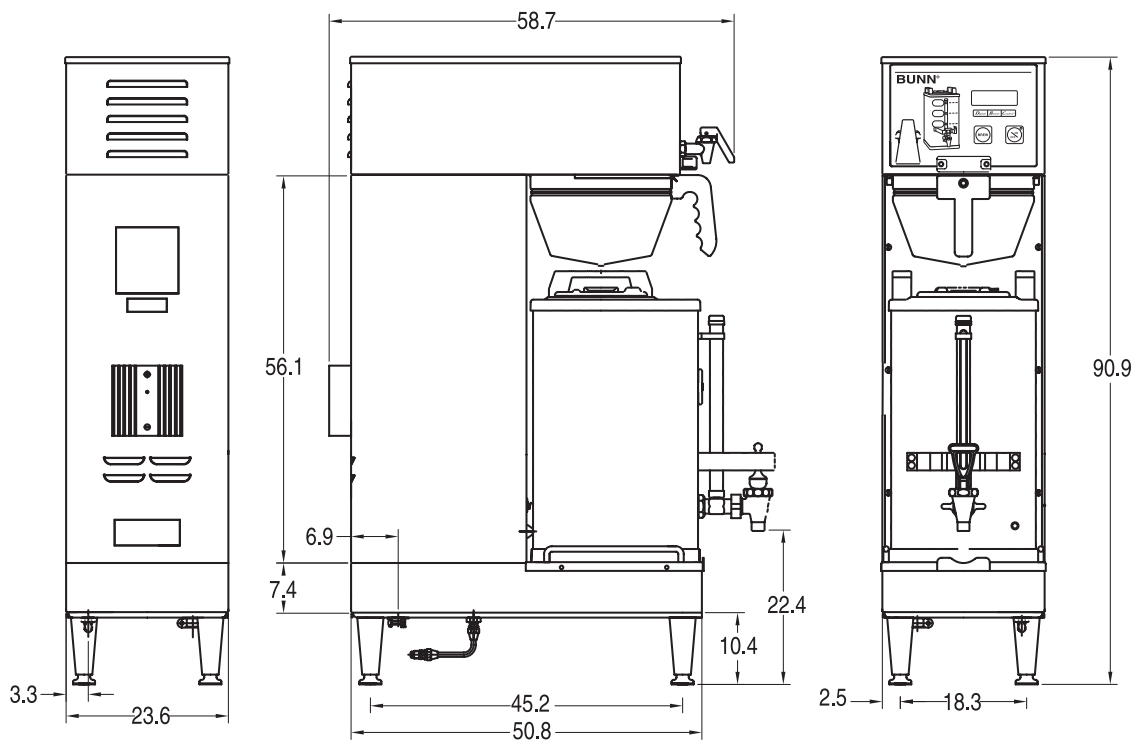
## Dimensions & Specifications

Model	Product #	Volts	Amps	Total Watts	Capacity	Shipping Weight	Cord Attached	Agency
Single SH DBC†	33600.0006	230	19	4400	10.6 gal./hr. (40.1 L/hr)	59 lbs. (26.8 kg)	No	CE (PCE) NSF
SH Server	27850.0023	n/a	n/a	n/a	1½ gal. (5.7 litre)	17 lbs. (7.7 kg)	No	PCE cUL US LISTED NSF

† With funnel lock. Note: Soft Heat® Brewers and Servers are sold, boxed and shipped separately.  
**Brewing capacity:** based upon incoming water temp of 60°F/15°C (140°F/60°C rise).

Electrical: Brewer is 2-wires plus ground service rated 220-240V, single phase, 50/60Hz.

Plumbing: 20-90 psi (138-621 kPa). Machine supplied with ¼" male fitting.



Bunn-O-Matic® Corporation - 1400 Stevenson Drive Springfield, Illinois 62703 • USA • +1-217-529-6601 • Fax +1-217-529-2827 • www.bunn.com

BUNN® practices continuous product research and improvement. We reserve the right to change specifications and product design without notice. Such revisions do not entitle the buyer to corresponding changes, improvements, additions or replacements for previously purchased equipment.

All dimensions shown in centimeters.

4/08 © Bunn-O-Matic Corporation